

# Furniture

Catalogue Furniture 03-2023





# Summary

## p.6

### Wall Unit

Compact-H 30 / 60 .....	6
• Upright « L » .....	6
• Upright « I » .....	7
Pharmalight 30/30.....	8
• Upright « L » reversed .....	8
• Upright « I » .....	9
• Wall Display Frame.....	10
• Front Display Frame .....	11
• Center Furniture .....	12

## p.13

### Gondolas

Compact-H 30 / 60 .....	13
• Gondole centre .....	13
• Front display .....	14
Pharmalight 30/30.....	15
• Gondole Frame.....	15
• Gondole Front Frame.....	16
• Podium Vision.....	17
Gondole self-service simpel .....	18
Presentation cube «Rhombus» .....	19

## p.20

### Counters

Counters «S» .....	20
Counters «L» .....	21
Customised counters .....	22

## p.23

### Promotional Displays

Cubes .....	23
Presentation cubes .....	24
Rotating stand .....	25

## The company in a few words

---

Active since 2014 but with over 50 years of experience in the field of pharmacy and healthcare design, H-Pharma is the leading manufacturer of all display and storage systems for pharmaceutical and hygiene & beauty products. The range includes a wide variety of furniture, promotional displays, visual communication concepts, investment products and equipment.

«Its range includes a wide variety of furniture, promotional displays and visual communication concepts as well as investment products and equipment.»





# Compact-H 30/60

## Upright «L»

Self-supporting wall unit, height 2030 mm or 2240 mm, on adjustable feet with coloured back panels & 100 mm high plinth.\*

- 1 x 7 shelves
- Choice of glass or steel shelves and suitable brackets

### Suggestions for equipment:

- Price indication systems
- Blocks of 2, 3 or 4 pharmaceutical drawers
- Canopy for visual communication

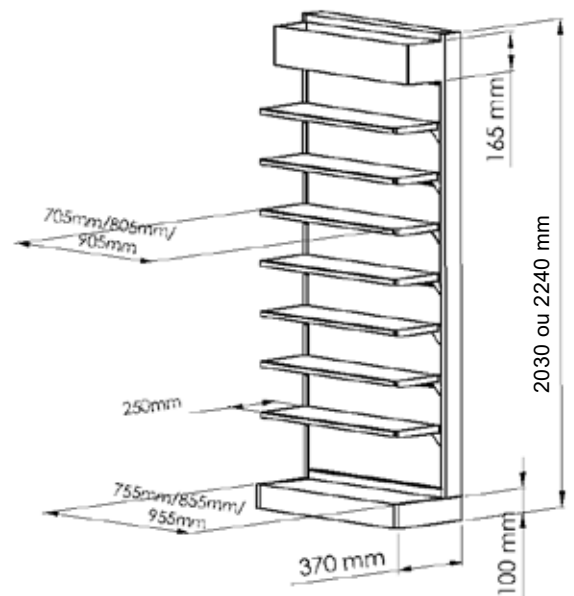
 Flat pack delivery



Dark-grey  
RAL 7021 S



Traffic white  
RAL 9016 S



\*Wide variety of widths and heights available



## Upright «I»

Wall unit to be fixed to a reinforced wall, height 2030 mm or 2240 mm, on adjustable feet with coloured back panels & without plinth.\*

- 1 x 7 shelves
- Choice of glass or steel shelves and suitable brackets

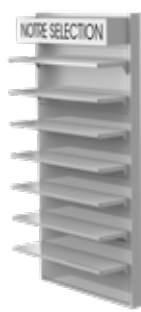
### Suggestions for equipment:

- Price indication systems
- Canopy for visual communication

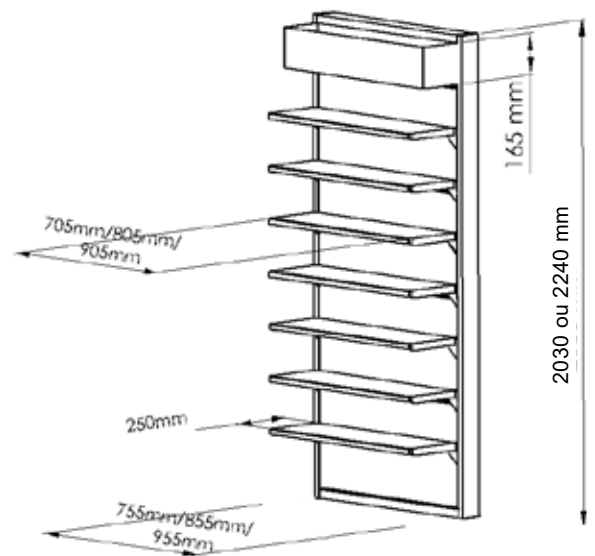
⚠ Flat pack delivery



Dark-grey  
RAL 7021 S



Traffic white  
RAL 9016 S



\*Wide variety of widths and heights available



# Pharmalight 30/30

## Upright « L » reversed

30/30 steel tube in reverse «L-shape». Wall mounting via top bracket and stabiliser at the base of the tube. Maximum overall depth: 360 mm.

Height from floor, excluding jack feet: 2425 mm. Jack feet + insert + wall mounting supplied unassembled. The depth can be adjusted. Ideal for displaying cosmetic and premium products.\*

2450 x 360 mm - Pitch 35 mm\*

 Flat pack delivery



Dark-grey  
RAL 7021 S



Traffic white  
RAL 9016 S



Ref. : 31-01-360-2450

\*Wide variety of depths and heights available





## Upright «I»

30/30 steel tube for wall or floor-ceiling mounting. S35 single sided (SSP6) or double sided (DSP6). When used in combination with the display accessories, it is imperative to respect the H-Pharma centre-to-centre distances.\*

2800 or 3000 mm - Pitch 35 mm\*  
Can be cut to size on site or on request at the factory.

 Flat pack delivery



Dark-grey  
RAL 7021 S



Traffic white  
RAL 9016 S



Ref. DSP : 31-3030-06-2800  
Ref. SSP : 31-3030-05-2800 / 31-3030-05-3000

\*Wide variety of depths and heights available



## Wall Display Frame

30/30 single metal frame (SSP3) for product display.  
Free choice of fixings.  
Various brackets and shelves (705 and 805 mm c/c).  
Overall width 733 / 833 mm.\*

2240 x 705 mm  
2450 x 705 mm  
2240 x 805 mm  
2450 x 805 mm

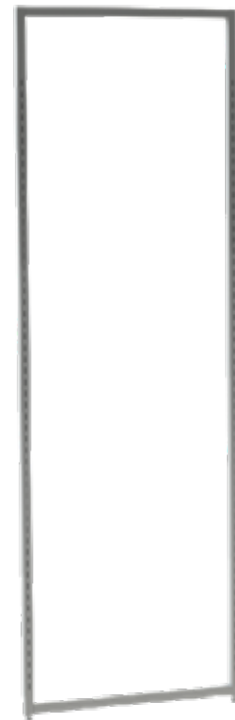
 Flat pack delivery



Dark-grey  
RAL 7021 S



Traffic white  
RAL 9016 S



Ref. : 31-01-705-2240 / 31-01-805-2240 /  
31-01-705-2450 / 31-01-805-2450

\*Wide variety of widths and heights available



## Front Display Frame

30/30 metal deco frame suitable for the Wall Display Frame.  
 Ideal for highlighting a product range / area.  
 The frame is hung in the punching of the Wall Display Frame.  
 Overall width 733 / 833 mm.\*

- 2240 x 705 x 300 mm
- 2450 x 705 x 300 mm
- 2240 x 805 x 300 mm
- 2450 x 805 x 300 mm

When using the Front Display Frame :  
 Maximum depth of the shelves: 250 mm

 Flat pack delivery



Dark-grey  
RAL 7021 S



Traffic white  
RAL 9016 S



Ref.: 31-01-3705-2240 / 31-01-3705-2450 /  
31-01-3805-2240 / 31-01-3805-2450

\*Wide variety of widths and heights available



## Center Furniture

1400 or 2030 mm high, pre-assembled central furniture, on adjustable feet and without back panel to provide transparency and visual lightness, powder coated steel tubes 30/30.\*

- 1400 mm: 1 x 5 shelves
- 2030 mm: 1 x 7 shelves
- Choice of glass or steel shelves and adapted brackets

### Suggestions for equipment:

- Price indication systems
- Communication support

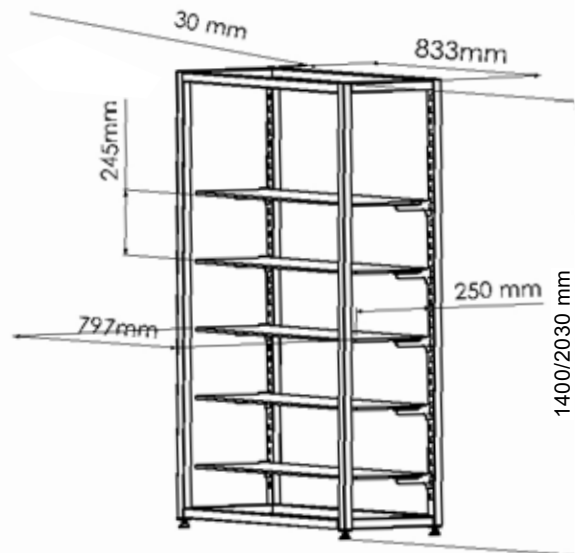
 Flat pack delivery



Dark-grey  
RAL 7021 S



Traffic white  
RAL 9016 S



Ref. : 31-04-805-1400 / 31-04-805-2030

\*Wide variety of widths and heights available



# Compact-H 30/60

## Centrale gondel

1400 mm high gondola, on multidirectional castors with coloured back panels.\*

- 2 x 4 shelves
- Choice of glass or steel shelves and adapted brackets

### Suggestions for equipment:

- Price indication systems
- Communication support
- Carrier product holder & hooks
- Gravity shelves
- Sloping discounter shelves

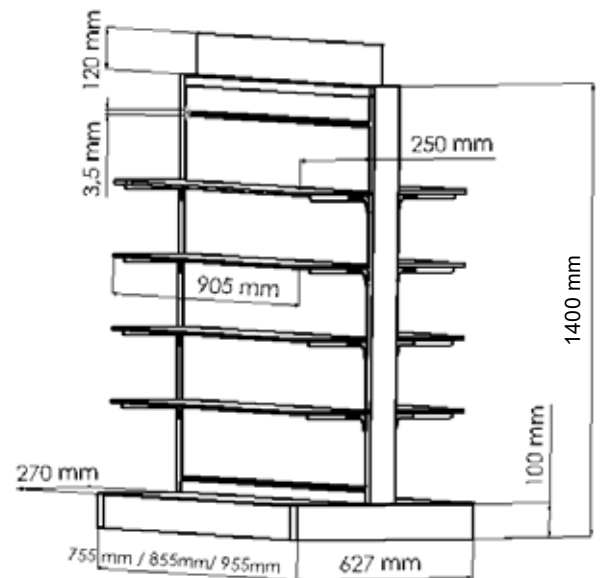
⚠ Flat pack delivery



Dark-grey  
RAL 7021 S



Traffic white  
RAL 9016 S



\*Wide variety of widths and heights available



## Front display

1400 mm high front display to be assembled on a double-sided gondola, to create promotional display area.\*

- 1 x 4 shelves
- Choice of glass or steel shelves and adapted brackets

### Suggestions for equipment:

- Optional front display base
- Price indication systems
- Communication support
- Carrier product holder & hooks
- Gravity shelves
- Sloping discounter shelves

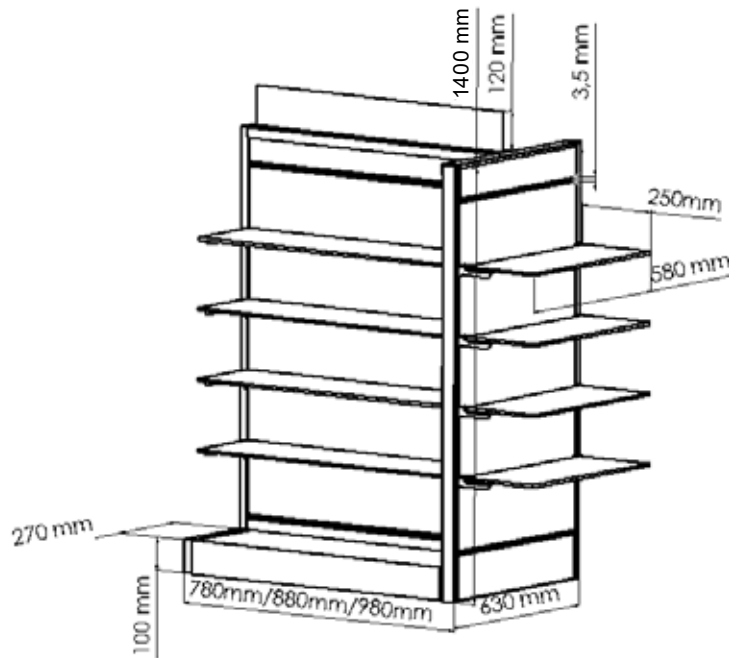
⚠ Flat pack delivery



Dark-grey  
RAL 7021 S



Traffic white  
RAL 9016 S



\*Wide variety of widths and heights available



# Pharmalight 30/30

## Gondole Frame

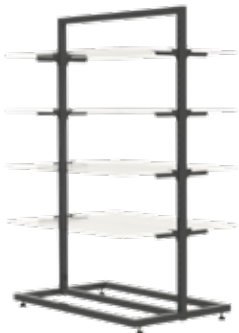
1280 mm high pre-assembled gondola, on jack feet with open bottom & plinth, powder coated steel tubes 30/30.\*

- 2 x 4 shelves
- Choice of glass or steel shelves and adapted brackets

### Suggestions for equipment:

- Price indication systems
- Suitable for castors
- Communication support

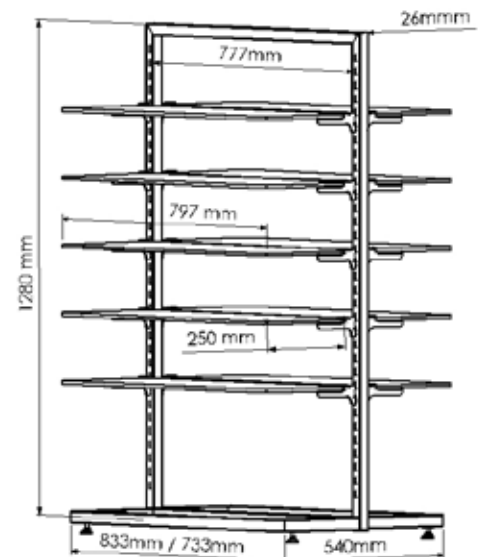
 Flat pack delivery



Dark-grey  
RAL 7021 S



Traffic white  
RAL 9016 S



Ref. : 31-02-705-1280 / 31-02-805-1280

\*Wide variety of widths and heights available



## Gondole Front Frame

1280 mm high lightweight design front display to be placed on top of the Gondola Frame.\*

- 1 x 4 shelves
- Only glass shelves and adapted brackets (35-05-25-514)

Suggestions for equipment:

- Price indication systems
- Communication support

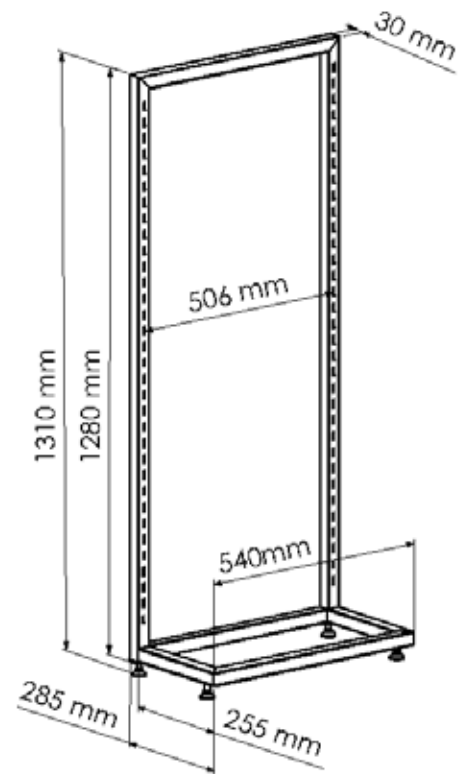
 Flat pack delivery



Dark-grey  
RAL 7021 S



Traffic white  
RAL 9016 S



Ref. : 31-03-540-1280

\*Wide variety of widths and heights available



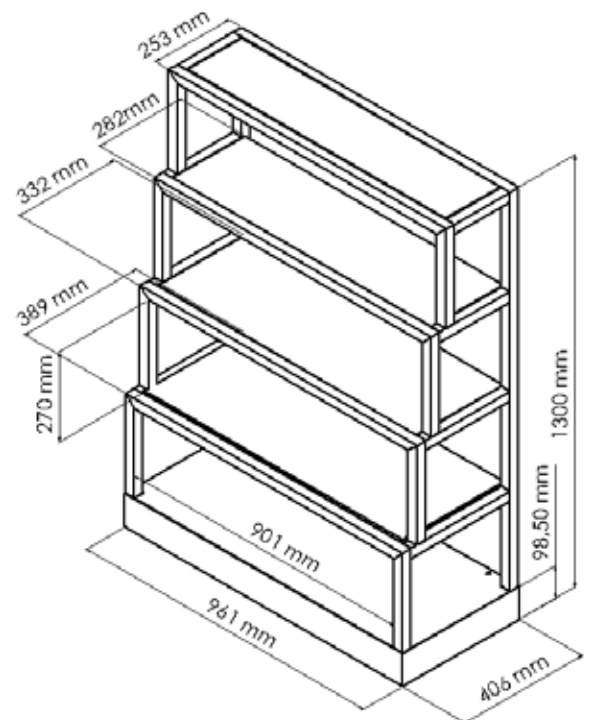


## Podium Vision

1300 mm high central unit on multidirectional castors, offering 360° product visibility (included in the set), base height 100 mm & free bottom for customisation.\*

- 4 clear glass shelves with depth:  
190, 250, 300 et 350 mm

⚠ Flat pack delivery



Dark-grey  
RAL 7021 S



Traffic white  
RAL 9016 S

Ref. : 31-04-961-1300

\*Wide variety of widths and heights available



## Gondole self-service

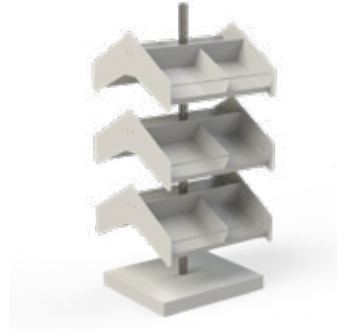
1300 mm high gondola on multidirectional castors, equipped with 3 double sloping discounter shelves. 10 metal dividers included.\*

508 x 588 x 1380 mm

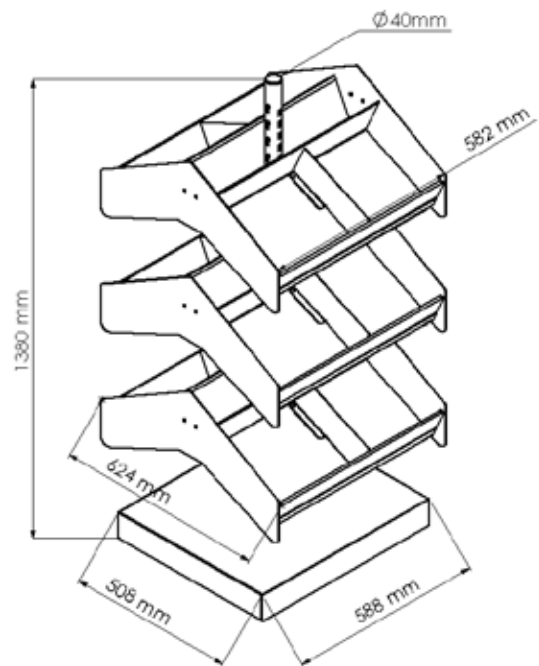
⚠ Flat pack delivery



Dark-grey  
RAL 7021 S



Traffic white  
RAL 9016 S



Ref. : 30-09-05-588-508-1400

\*Wide variety of widths and heights available



## Presentation cube «Rhombus»

---

- 20/20 tubular structure 3 sides closed with wire mesh at the bottom
- Powder-coated steel
- Accessories included: 4 jack feet + 4 supports
- Available accessories: reversible display trays
- Wooden fittings

Ref. : 31-20-790-RR540-R540



# Counters

## Counters «S»

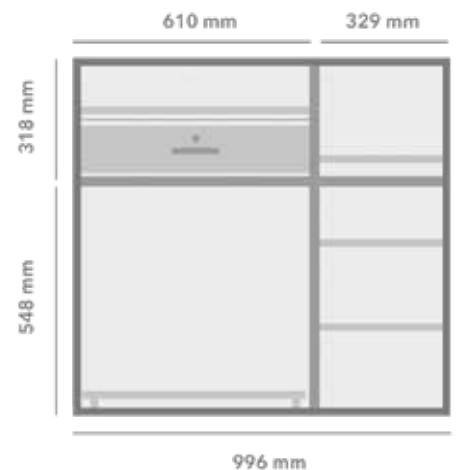


The single sales point S-size counter is a simple and elegant decorative element. Each counter is supplied with a shelf, a bag holder.

Each counter comes with a bag holder, a lockable drawer and storage space. The body of the unit, the bag holder shelf and the worktop can be and the worktop can be customised according to a predefined colour chart.

Options available: claustra display, vertical or horizontal decor, raised base, display stand.

996 x 547 x 866 mm



## Counters «L»

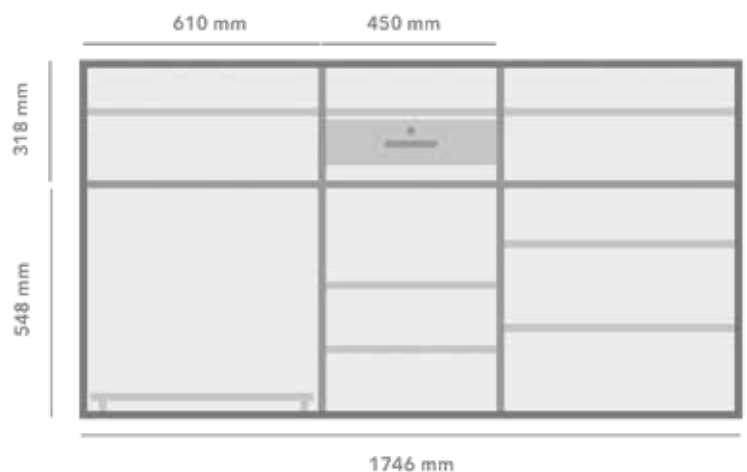


The single sales point L-size counter with its capacity for 2 sales points, the L counter fits perfectly into your optimisation.

Each counter comes with a bag holder, a lockable drawer and storage space. The body of the unit, the bag holder shelf and the worktop can be and the worktop can be customised according to a predefined colour chart.

Options available: claustra display, vertical or horizontal decor, raised base, display stand.

1746 x 547 x 866 mm



## Customised counters

---



Vertical wood decoration



Real wood decoration



Melamine decor on the front of the counter



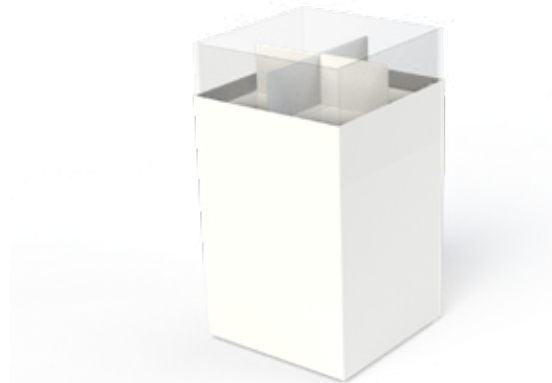
Horizontal wood decoration

# Promotional Displays

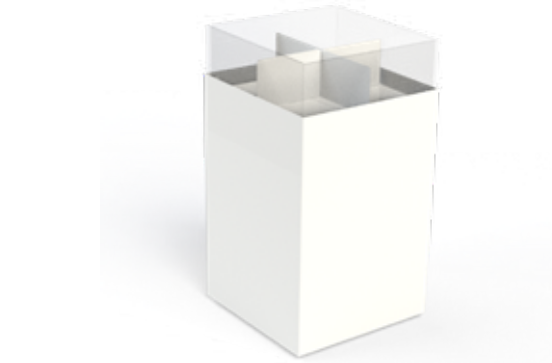
## Cubes

- 4 high-quality finish thanks to glass fronts
- Mobile elements on rotating castors
- Magnetic steel dividers
- Available colours:  
Traffic white (RAL 9016 S) & Dark-grey (RAL 7021 S)

597 x 597 x 950 mm - Ref. : 30-20-60-60-950



497 x 497 x 950 mm - Ref. : 30-20-50-50-950



267 x 497 x 950 mm - Ref. : 30-20-27-50-950



## Presentation cubes (3 models)

---

- Cubic volume in thermo-lacquered steel
- Mobile on multidirectional castors
- Available colours:  
Traffic white (RAL 9016 S) & Dark-grey (RAL 7021 S)

540 x 540 x 540 mm - Ref. : 30-20-54-54-540



790 x 540 x 540 mm - Ref. : 30-20-54-54-790



1080 x 540 x 540 mm - Ref. : 30-20-54-54-1080





## Rotating stand

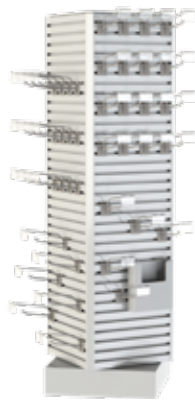
- 360° Rotating stand on multi directional castors
- Minimum noise due to high quality ball bearings
- Increased product exposure due to grooves every 35 mm
- Many accessories available

1400 x 400 mm  
Pitch 35 mm

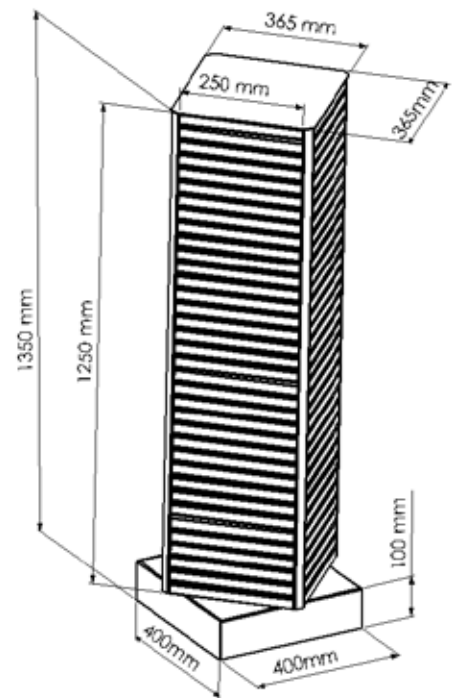
⚠ Delivered pre-assembled, without accessories



Dark-grey  
RAL 7021 S



Traffic white  
RAL 9016 S



Ref. : 30-20-40-1400





# Notes



A series of horizontal dotted lines spanning the width of the page, intended for writing notes.



**H - P H A R M A**

Your Partner in Pharmacy Equipment

H-Pharma Medical Storage • Am Dueref 48-2, L-9645 Derenbach • Luxembourg  
Tel: +32 51 62 21 01 • info@hpharma.eu • www.hpharma.eu

